

The DW9255 is a Surface Acoustic Wave (SAW) bandpass filter for use with the GP2000 Global Positioning System (GPS) receiver chip-set, available from Mitel Semiconductor. It is pre-tuned to the exact 2nd IF filter requirements of the GP2010 & GP2015 RF front-end devices, with a centre-frequency of 35.42MHz. The response is tuned for a flat passband, steep stopband and uniform passband group-delay with 3 external inductors. The device is realised on a Lithium Tantalate substrate and housed in a small leadless ceramic Surface Mount package.

The DW9255 gives significant improvement in correlated GPS Signal-to-Noise Ratio (SNR) performance compared to conventional LC bandpass filter schemes. This aids satellite signal acquisition and tracking capability from the GP2000 GPS chip-set. This device effectively filters out-of-band (unwanted) noise in the GPS signal. The Automatic Gain Control (AGC) within the GP2010 and GP2015 RF Front-end devices will then operate only on in-band noise for optimum gain and superior correlated GPS signal strength.

FEATURES

- Centre Frequency of 35.42MHz
- Insertion Loss of 17dB ±1dB (typical)
- 1dB Bandwidth 1.9MHz (typical)
- Passband Ripple 0.8dB (typical)
- Low Profile Ceramic Surface Mount Package
- Operating Temperature Range -40° to +85°C

APPLICATION

- Commercial Global Positioning

RELATED PRODUCTS AND PUBLICATIONS

Part	Description	Data Reference
GP2010	GPS receiver RF Front-end	DS4056
GP2015	Miniature GPS receiver RF Front-end	DS4374

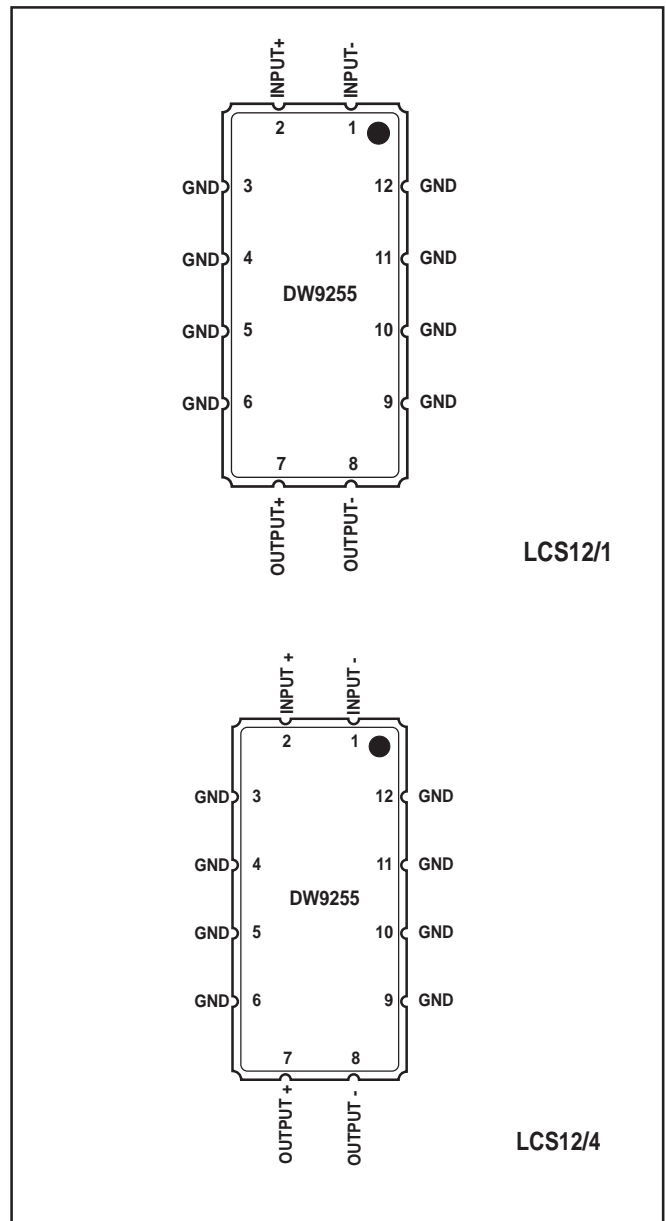


Fig.1 Pinout

DW9255

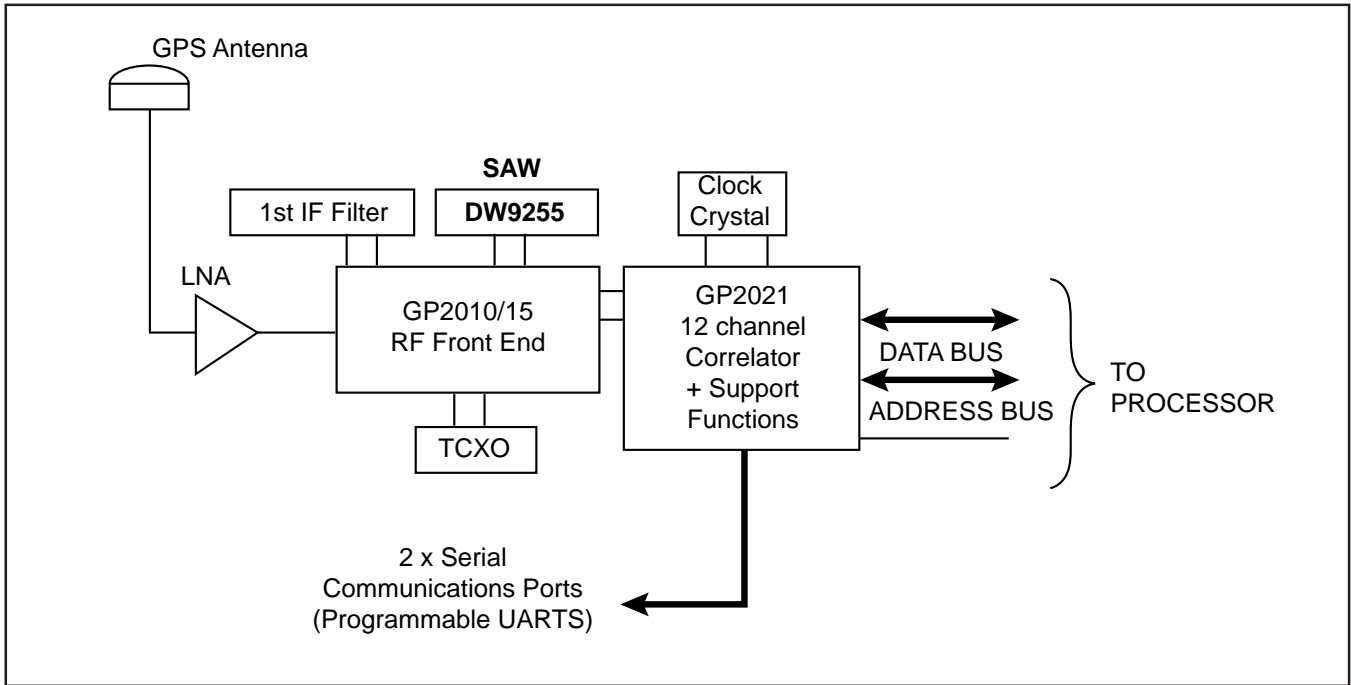


Fig.2 DW9255 used with GPS chipset

ELECTRICAL CHARACTERISTICS (Typ. @ 25°C)

Parameter	Min	Typ	Max	Units	
Centre Frequency	-	35.42	-	MHz	
1dB Bandwidth	1.6	1.9	-	MHz	
Insertion Loss	16	17	18	dB	
Amplitude Ripple (34.62 to 36.22MHz)	-	0.8	1.6	dB (pk to pk)	
Relative Attenuation (relative to insertion loss)	<28MHz	35	40	-	dB
	<31MHz	30	35	-	dB
	<33.5MHz	21	25	-	dB
	>37.5MHz	21	25	-	dB
	>40MHz	25	30	-	dB
	>50MHz	30	40	-	dB
	>63MHz	28	35	-	dB
>73 - 110MHz	40	45	-	dB	
Group Delay Ripple (34.62 to 36.22MHz)	-	190	300	ns	
Maximum Group Delay (34.62 to 36.22MHz)	-	1.6	1.7	µs	
Operating Temperature Range	-40	-	+85	°C	

DW9255 used as 2nd IF filter for GP2010/15

Centre Frequency	35.42MHz
Pass Band	±1.0MHz (within ±1.0dB)
Insertion loss	14-18dB
3rd IF Image frequency at 2nd IF	26.8MHz
Source Impedance	500Ω typical
Load Impedance	1000Ω typical

than 20dB) beyond this bandwidth, and so should have a brick-wall type response at these extremes. The DW9255 SAW filter provides a 1dB Bandwidth of typically 1.9MHz centred on 35.42MHz, with a typical pass band ripple of 0.8dB, when the SAW input and output capacitance is resonantly matched with inductors of optimum value. The out-of-band signal rejection is better than 21dB at ±2.0MHz, and better than 35dB at ±7.5MHz.

The second external IF filter is connected between the output of Stage 2 and input of Stage 3. It is required to define the bandwidth of the RF section of the GPS receiver, hence it is critical to the receiver performance. The filter should be flat across the 2MHz bandwidth of the GPS Coarse-Acquisition (C/A) code signal. It should also have high rejection (greater

The frequency response of the DW9255 SAW filter with matching components is shown in Fig. 3. The matching components used with the GP2010/15 device are shown in Fig. 4.

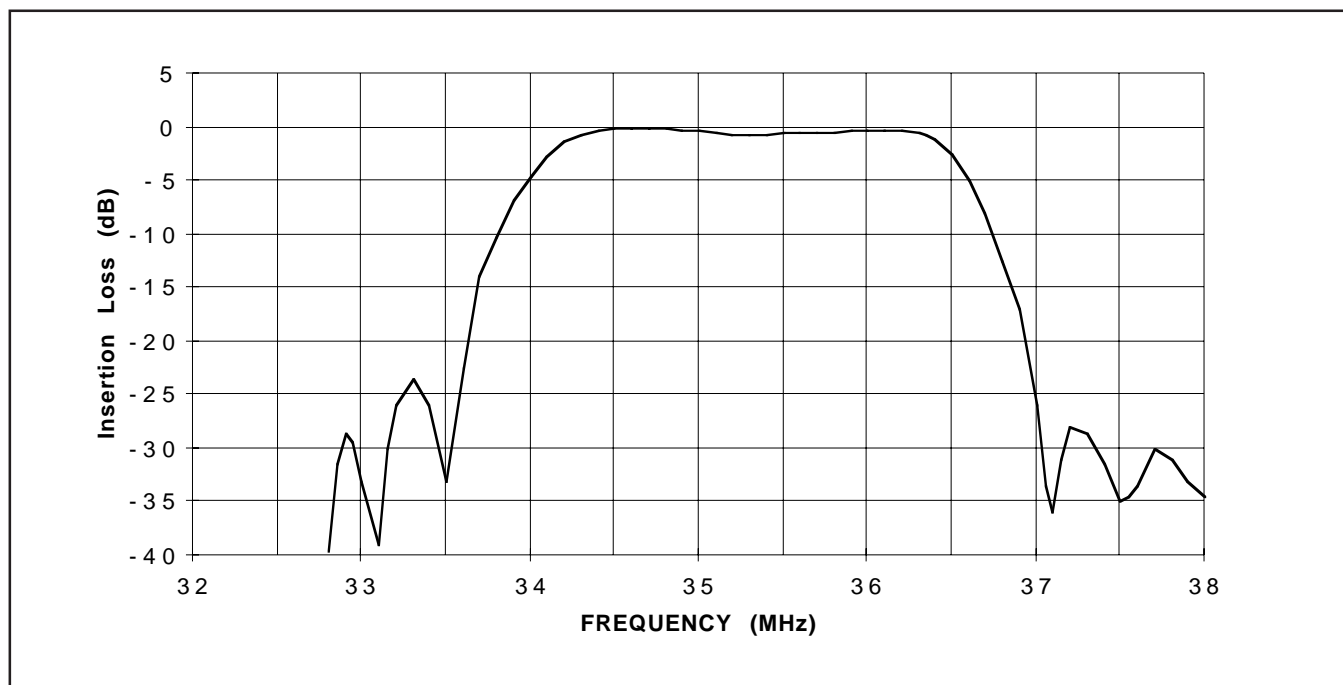


Fig.3 Typical frequency response of DW9255 SAW filter used as 2nd IF filter

DW9255

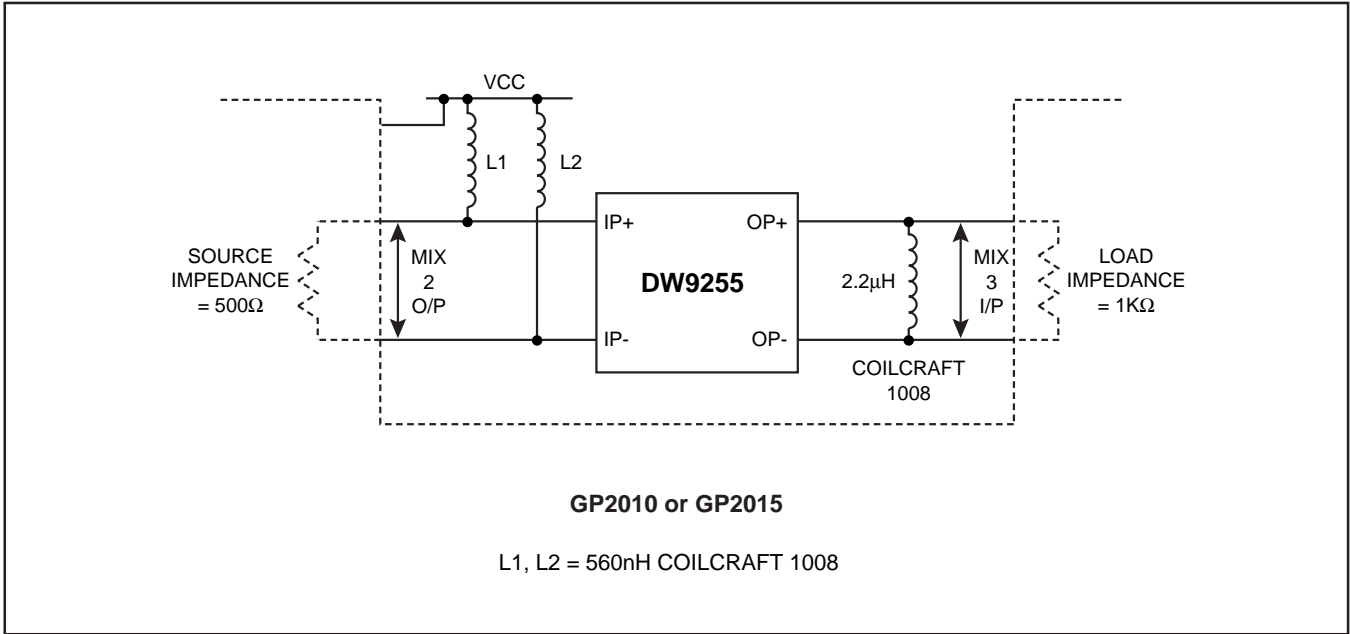


Fig.4 Typical matching components when used with GP2010 or GP2015 GPS Front-end IC

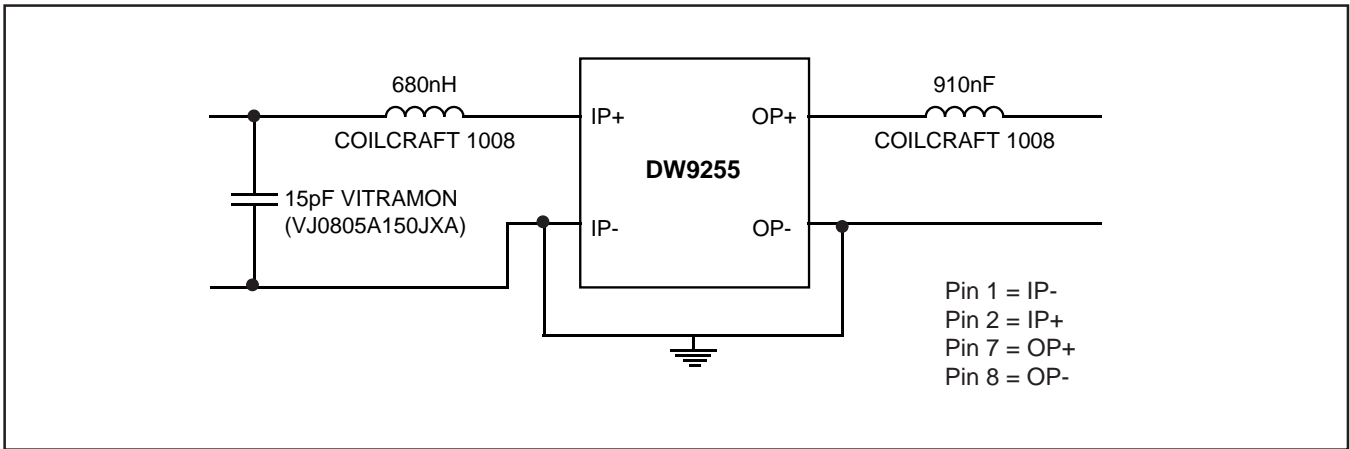


Fig.5 50Ω Matching network



<http://www.mitelsemi.com>

World Headquarters - Canada

Tel: +1 (613) 592 2122
Fax: +1 (613) 592 6909

North America

Tel: +1 (770) 486 0194
Fax: +1 (770) 631 8213

Asia/Pacific

Tel: +65 333 6193
Fax: +65 333 6192

**Europe, Middle East,
and Africa (EMEA)**

Tel: +44 (0) 1793 518528
Fax: +44 (0) 1793 518581

Information relating to products and services furnished herein by Mitel Corporation or its subsidiaries (collectively "Mitel") is believed to be reliable. However, Mitel assumes no liability for errors that may appear in this publication, or for liability otherwise arising from the application or use of any such information, product or service or for any infringement of patents or other intellectual property rights owned by third parties which may result from such application or use. Neither the supply of such information or purchase of product or service conveys any license, either express or implied, under patents or other intellectual property rights owned by Mitel or licensed from third parties by Mitel, whatsoever. Purchasers of products are also hereby notified that the use of product in certain ways or in combination with Mitel, or non-Mitel furnished goods or services may infringe patents or other intellectual property rights owned by Mitel.

This publication is issued to provide information only and (unless agreed by Mitel in writing) may not be used, applied or reproduced for any purpose nor form part of any order or contract nor to be regarded as a representation relating to the products or services concerned. The products, their specifications, services and other information appearing in this publication are subject to change by Mitel without notice. No warranty or guarantee express or implied is made regarding the capability, performance or suitability of any product or service. Information concerning possible methods of use is provided as a guide only and does not constitute any guarantee that such methods of use will be satisfactory in a specific piece of equipment. It is the user's responsibility to fully determine the performance and suitability of any equipment using such information and to ensure that any publication or data used is up to date and has not been superseded. Manufacturing does not necessarily include testing of all functions or parameters. These products are not suitable for use in any medical products whose failure to perform may result in significant injury or death to the user. All products and materials are sold and services provided subject to Mitel's conditions of sale which are available on request.

M Mitel (design) and ST-BUS are registered trademarks of MITEL Corporation
Mitel Semiconductor is an ISO 9001 Registered Company
Copyright 1999 MITEL Corporation
All Rights Reserved
Printed in CANADA

TECHNICAL DOCUMENTATION - NOT FOR RESALE